

ROAD BARRIERS VE.500



- Electromechanical barrier for passages up to 5m
- Intensive use and high reliability
 - Easy to install and set up
- Stainless steel version available
- Possibility of integrated FTC.S photocells thanks to the innovative hide-away system that enables them to be perfectly integrated with the look, ensuring maximum functionality

**Equipped with
foundation plate**

**The standard road barriers are
equipped with 1 white spring**



VE.500



Perfect movements thank to three limit switches



Available in painted steel(VE.500) or stainless steel(VE.500I)

NOTES:

.....

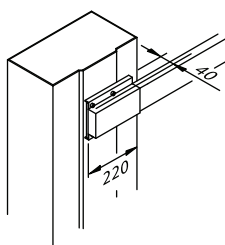
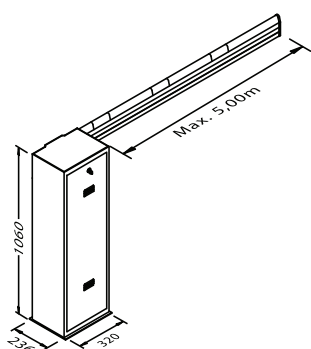
.....

.....

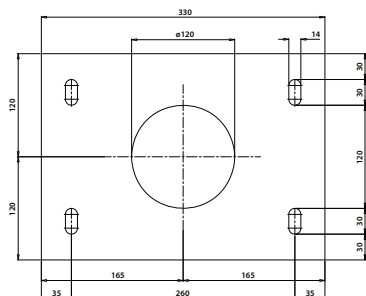
.....

.....

.....



VE.P500



HOW TO CHOOSE THE TYPE OF SPRING AND THE POSSIBLE ACCESSORIES

CODE	TYPE OF SPRING	LENGHT OF ROAD BARRIER BEAM (m)	THE POSSIBLE ACCESSORIES
VE.500/1	1 yellow	2	VE.AM - VE.L500 - VE.SN500 - SC.RES - VE.RP
	1 yellow	2,5	-
	1 neutral	2,5	VE.AM - VE.L500 - VE.SN500 - SC.RES - VE.RP
	1 neutral	3	VE.AM - VE.L500 - VE.SN500 - SC.RES - VE.RP
	1 neutral	3,5	VE.AM - SC.RES - VE.L500 - VE.SN500 - VE.RAST - VE.RP
	1 neutral	4	VE.AM - SC.RES - VE.L500 - VE.SN500 - VE.RAST - VE.RP
	1 white	4,5	VE.AM - VE.L500 - VE.SN500 - SC.RES - VE.RP
	1 white	5	VE.AM - VE.L500 - VE.SN500 - SC.RES - VE.RP

TECHNICAL DATA

	VE.500	VE.500I
Power supply	230 Vac	230 Vac
Motor supply	24 Vdc	24 Vdc
Max. Absorbed current	1,6 A	1,6 A
Torque	205 Nm	205 Nm
Opening speed	3"-5"	3"-5"
Operation cycle	intensive use	intensive use
Protection level	IP 44	IP 44
Operating Temp.	-20°C/+50°C	-20°C/+50°C
Weight	57 Kg	57 Kg
Items no. per pallet	9	9