

# MH

## COMMERCIAL DOOR OPERATOR

MAXIMUM DOOR AREA (SQ. FT.)						
ROLLING	24 ga. Steel	22 ga. Steel	—	20 ga. 18 ga. Steel	16 ga. Steel	—
	Alum. Grilles	Alum. Doors	—	Steel Grilles	—	—
SECTIONAL	—	24 ga. 22 ga. Steel	20 ga. Steel	—	16 ga. Steel	—
	Fiber-glass	Alum. Doors	Wood Doors	—	—	—
	—	—	24 ga. Steel Insul.	—	20 ga. Steel Insul.	16 ga. Steel Insul.
SQ. FT.	320	275	250	200	160	120

NOTE: On steel insulated doors, a 24-gauge back panel is assumed.

## Standard Features

- Motor**  
 Powerful 1/2 HP, 115V single-phase motor with instant reverse, capacitor start and overload protection. Removable without affecting limit switch settings.
- Emergency Manual Operation**  
 Provides easy emergency manual operation using a floor level disconnect and an electrically interlocked chain hoist mechanism.
- Operator/Motor Control**  
 Solid-state Medium-Duty Logic circuit board.
- Control Circuit**  
 24V NEC Class 2.
- Wiring Type**  
 All operators are factory preset to C<sub>2</sub> wiring, providing momentary contact to open and stop, with constant contact to close. Momentary contact to close (B2 wiring) can be easily set with the push of a button. The operator is pre-wired to accept CPS<sup>®</sup>-L/CPS<sup>®</sup>-LN4 photo-eyes or a sensing edge.
- Drive Reduction**  
 First-stage heavy-duty 4L V-belt; second and third stages #48 chain.
- Bushings**  
 Heavy-duty oil-filled bushings.
- Friction Clutch**  
 Adjustable friction clutch helps protect against damage to the door and operator should the door meet an obstruction.
- Brake**  
 Heavy-duty solenoid-actuated brake.
- Push Button Station**  
 3-button station, for open/close/stop functions, is standard for all operators. Controls with 1, 2 and 3 buttons are available.
- Radio Receiver**  
 315 MHz radio receiver is integral to the Medium-Duty Logic board. Accepts up to 20 Security+<sup>®</sup> remote controls and unlimited DIP switch remote controls.
- Construction**  
 NEMA 1 type electrical box, heavy-duty 11-gauge steel frame with baked-on powdercoat finish, all reduction sprockets drilled and pinned to shafts.

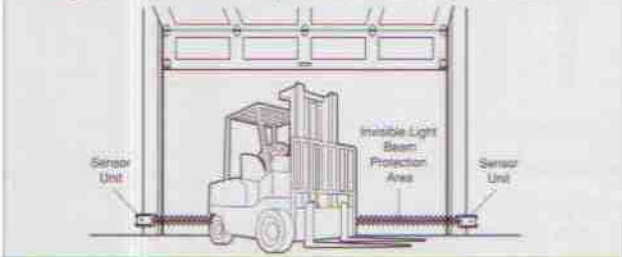
## Control Accessories and Options

- Sensing Edge (recommended)**  
 Senses an obstruction and signals door operator to stop or reverse upon contact. Either an electric or pneumatic sensing device can be added to bottom edge of door.
- Radio Control**  
 Universal remote controls and receivers are available to signal the operator to open, close and stop.
- Rolling Door Interlock Switch**  
 Interlock switch disables the operator control circuit when a manual door lock is engaged, preventing damage to the door and operator.
- Weathertight Control Devices**  
 A variety of weathertight control devices are available including 3-button control stations, key control stations and digital keypads.
- Wireless Access Control Devices**  
 Weather-proof single or 3-button wireless control stations are available and are compatible with the Medium-Duty Logic on-board receiver. In addition, a choice of either a 5 or 250-code wireless keypad is available. Wireless controls should be used to supplement hard-wired controls and should not be used in place of such controls unless a sensing device, such as photo-eyes or a sensing edge, is present.

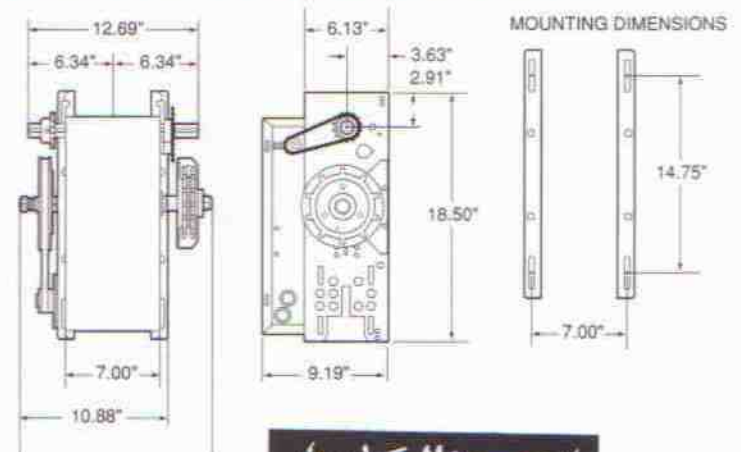
### CPS<sup>®</sup>-L Commercial Protector System<sup>®</sup> (recommended)

An inexpensive "non-contact" photo safety sensor designed to sense an obstruction and signal the door operator to reverse to open.

- Safety of a non-contact infrared reversing sensor
- Heavy-gauge mounting brackets
- Bright yellow safety color
- Patented electrical interface monitors system status at all times
- Watertight NEMA 4 design (use CPS<sup>®</sup>-LN4)
- LED indicators for quick alignment
- One size fits all (for doors up to 45 ft. wide)
- Quick installation and pre-molded for 1 inch conduit



## Clearance and Mounting Details



CHAMBERLAIN<sup>®</sup>

# LiftMaster

THE CHAMBERLAIN GROUP, INC.  
 845 Larch Avenue • Elmhurst, IL 60126  
[www.liftmaster.com](http://www.liftmaster.com) • <http://specs.chamberlain.com/architectscorner>



Chamberlain reserves the right to make design or specification changes without notice.  
 ©2008 The Chamberlain Group, Inc. Printed in U.S.A. 10/08 LHCDDMH

# Medium-Duty Logic Hoist Operator

COMMERCIAL DOOR OPERATOR

MODEL

MMH



## Medium-Duty Logic Technology

Offers an innovative design that provides reliable service and exceptional value to economically meet the toughest commercial applications.

### Added Value

- Adjustable friction clutch
- Solenoid brake standard
- High-starting torque motor with overload protection
- Compact design
- Emergency chain hoist: with electric interlock
- Medium-Duty Logic programmable integrated circuit board
- Integrated 3-channel radio
  - Learn/program up to 20 Chamberlain® 315 MHz remote controls
  - Recognizes Security+® and DIP switch remote controls
  - Compatible with 3-button remote controls for open/close/stop operation
- Programmable C2 or B2 wiring options
- Integrated timer-to-close (TTC)
  - Programmable from 5 to 60 seconds (CPS®-L or CPS®-LN4 photo-eyes must be installed)
- Integrated 90-second maximum run timer
- Monitored entrapment capability
- Enhanced protection against transient overvoltage conditions
- 3-button control station included



Includes the Medium-Duty Logic Board with Built-In Receiver

### Also available, Mechanical dual-relay version (M)

(115V - 24VAC NEC Class 2 Circuit with 20VA transformer)

Dependable, dual-relay operator control system. Control system provides easy selection between B2 and C2 wiring by moving a single wire.



Featuring built-in radio receiver compatible with up to 20 Security+® or unlimited DIP switch remote controls  
*(Remote controls sold separately)*

CHAMBERLAIN®

**LiftMaster**  
MEDIUM DUTY LOGIC